

Electronic Globe Valves

NV(D)24-3 US Non-spring return, on/off, floating point



NV24-3 US NVD24-3 US

Application

For on/off and floating point control of globe valves. Actuator will mate to an integrated adaptor bracket. Adaptor bracket shown fits valves manufactured by Siebe Environmental Controls under designations VB7000 and VB9000.

Functional safety

The actuator is secured against short circuiting and incorrect polarity.

Manual operation

When a 3/16" or 5 mm hex is inserted and turned clockwise, the actuator plunger pushes out. The actuator plunger retains the position until the nominal voltage is applied.

Display of function

The stroke is shown mechanically on the adaptor bracket.

On/Off, Floating Point Control, 24 VAC/DC Power

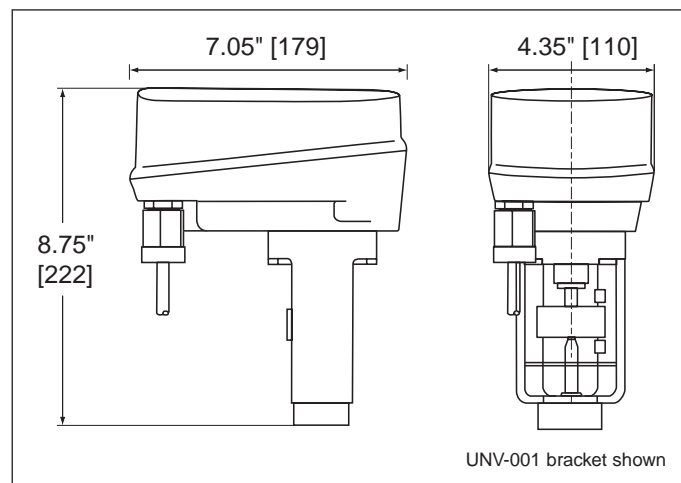
NV24-3 US, NVD24-3 US

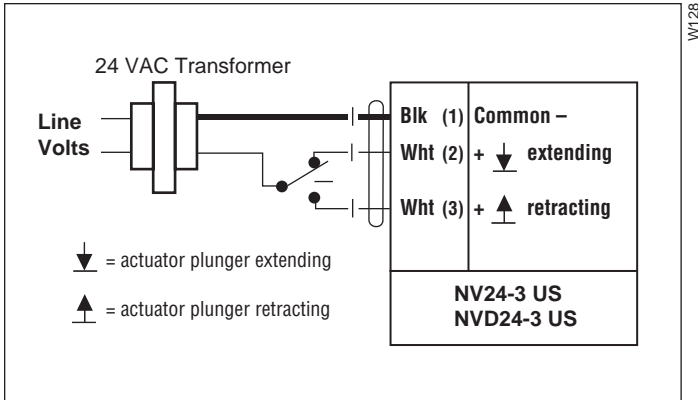
Power consumption:	3W
Transformer sizing:	5 VA (Class 2 power source)
Force:	<input type="checkbox"/> NV24-3 US: 180 lbf [800N] <input type="checkbox"/> NVD24-3 US: 90 lbf [400N]

Common Data

Power supply:	24 VAC \pm 20% 50/60 Hz 24 VDC \pm 10%
Electrical connection:	3 ft, 18 GA appliance cable, 1/2" conduit fitting
Overload protection:	electronic throughout stroke
Maximum stroke:	3/4" [20 mm]
Position indication:	stroke indicator on bracket
Manual override:	3/16" hex, 5mm hex, phillips head screwdriver
Running time:	50s/0.25" [7.5s/mm]
Humidity:	5 to 95% RH, non-condensing
Ambient temperature:	-22° F to 122° F [-30° C to 50° C]
Media temperature:	20° F to 250° F [-7° C to 120° C]
Storage temperature:	-40° F to 176° F [-40° C to 80° C]
Housing:	NEMA 2 / IP54 with cable entry down
Housing material:	UL 94-5V (flammability rating)
Agency listings:	CE, UL 873, CSA C22.2 No. 24 certified
Quality standard:	ISO 9001
Noise level:	max. 35 dB(A)
Servicing:	maintenance free
Weight:	3.3 lb [1.5 kg]

Dimensions in inches (numbers in brackets are metric)





Floating point or on/off control